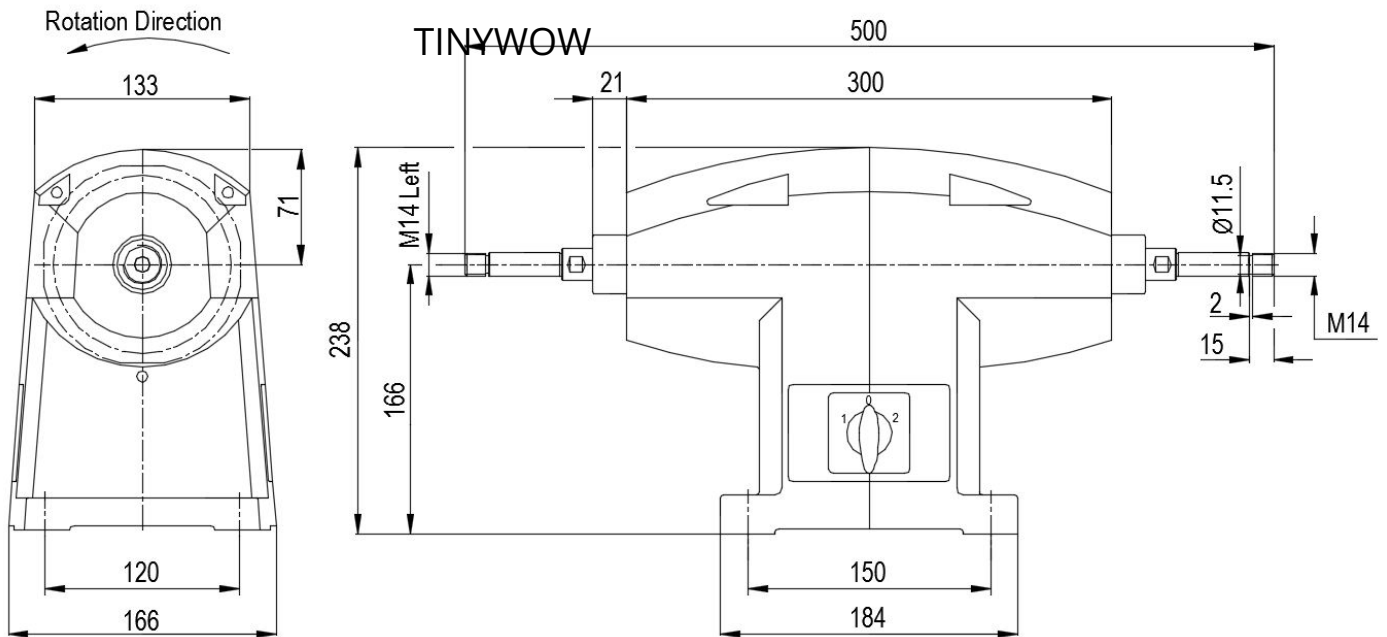




- Motor Type: 220V~Single Phase Induction Motor
- Insulation Class: B
- Accessuary : Left Tapered Spindle . Ni. Plated 1 pcs
Right Tapered Spindle . Ni. Plated 1 pcs
- Shaft: C 1050
- Bearings: 6004 ZZ Ball Bearings.
- Frame : Cast Aluminium



Polishing Motor
700 W 3000 r.p.m.



MOTOR CODE	VOLT (V)	CURRENT (Amp)	POWER (W)	FREQ (Hz)	SPEED STEP	SPEED (RPM)
939.69.005	220	3.5	700	50	-	3000