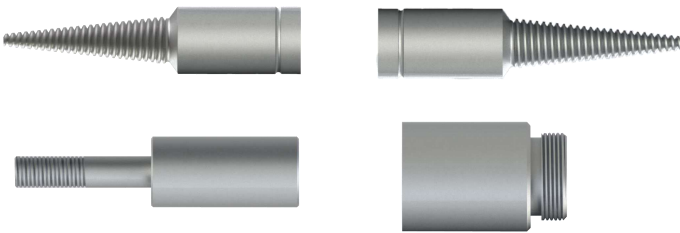
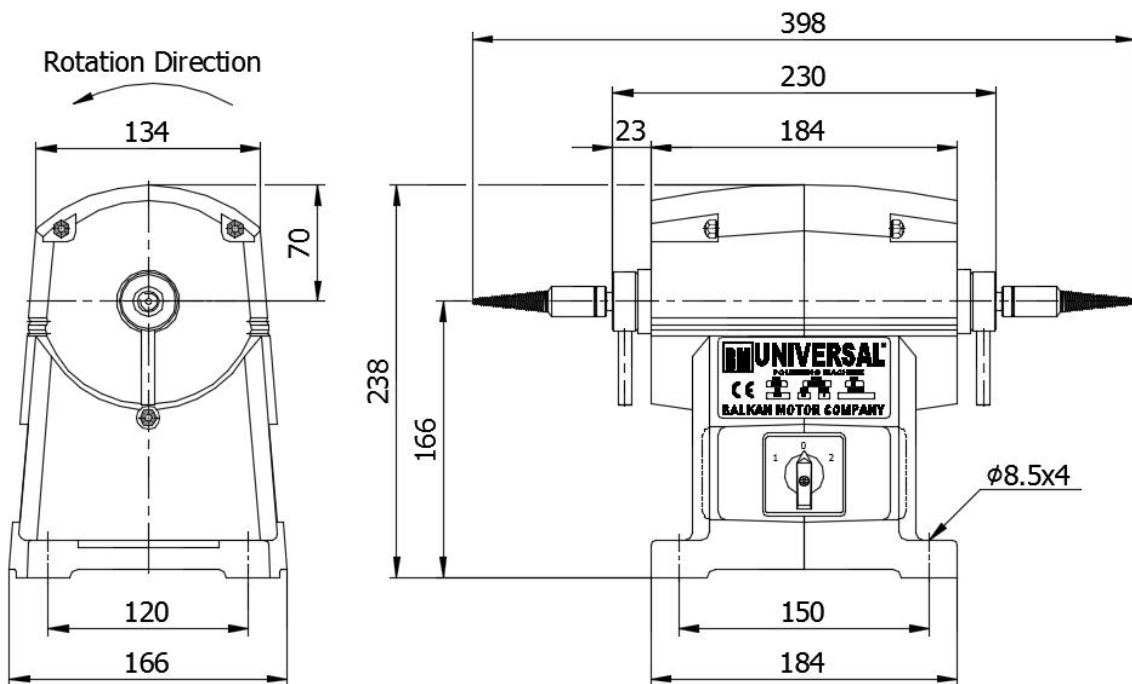




- Motor Type: 220V~Single Phase Induction Motor
- Insulation Class: B
- Accessary : Left helix tapered, Right helix tapered, Ø8 Cylindrical, Flexible shaft adapter Zn. Plated Spindles .
- Shaft: C 1050 Tapered 1:50 Both Ends
- Bearings: 6302 ZZ Ball Bearings.
- Frame : Cast Aluminium



**Polishing Motor**  
**400 W 3000 r.p.m.**



MOTOR CODE	VOLT. (V)	CURRENT (Amp)	POWER (W)	FREQ. (Hz)	SPEED STEP	SPEED (RPM)
939.69.011	220	1.5	400	50	-	3000